



Quick Installation Guide

AeroLAN™ Wireless PCI Adapters
Models: AL3011
AL3011-DP



Making Networking Simple

Introduction

Thank you for purchasing an Asanté FriendlyNET AeroLAN Wireless PCI Adapter. This adapter is designed to be the most economical way to add wireless functionality to your small business or home office network.

- Works with Asanté FriendlyNET wireless routers, Apple AirPort and other IEEE 802.11b devices.
- Includes extended range 5db antenna and supports optional long-range antenna.*
- Dual-platform design supports Macintosh and Windows based operating systems.**
- Transfers data at 11 Mbps rate with advanced data encryption.
- Free telephone technical support when used with Microsoft Windows 98SE/Me/NT/2000/XP and Mac OS 8.6 through 9.x, OS X.1.3

Packing List

Your package contains the following items:

- FriendlyNET AeroLAN PCI Wireless Adapter
- This Quick Installation Guide
- Drivers Utility CD-ROM

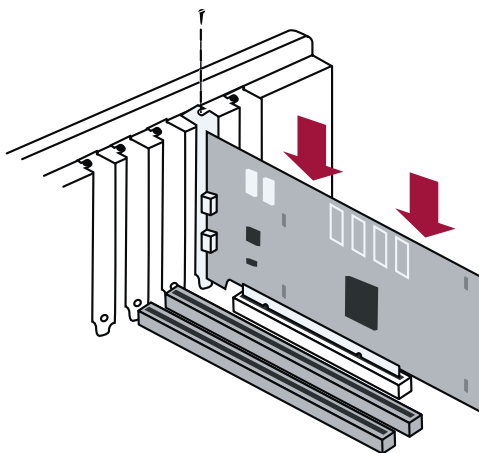
System Requirements

- **Macintosh Minimum Requirements (AL3011-DP only):** Apple PowerMacs with an available PCI slot running Mac OS 8.6 through 9.x, OS X.1.3 with 64MB RAM
- **PC Minimum Requirements (AL3011/AL3011-DP):** Pentium II 233 running Microsoft Windows 98SE/Me/NT 4.0/2000/XP with 64MB RAM

*Please see asante.com for details. **AL3011-DP only

Hardware Installation:

Here's how to install this adapter:



Installing the adapter into your computer:

1. Turn off the power to the computer.
2. Insert the adapter into an available 32-bit PCI slot.
3. Turn on the power to your computer and allow the computer to start up to the desktop.

Software Installation:

Follow the steps below to install the device driver and wireless configuration utility for the AeroLAN Wireless Adapter.

Driver Installation:

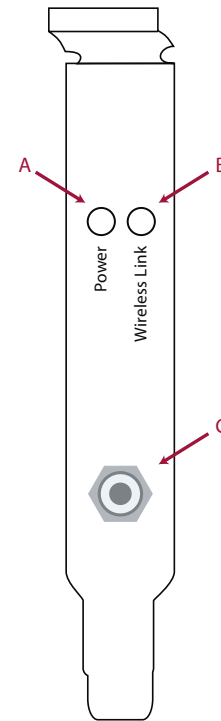
1. Follow the hardware installation instruction to install the AeroLAN adapter into your laptop computer and insert the provided driver utility CD into your CD-ROM drive.
2. Install the drivers from the provided CD-ROM:
 - a. **Windows** – follow the Hardware Installation Wizard and locate the driver on the CD-ROM.
 - b. **Macintosh** – locate the Installer in the Macintosh folder on the CD-ROM and follow the on-screen instructions.
3. Reboot the computer.

AeroLAN Wireless Configuration Utility (Windows only)

- The AeroLAN Wireless Utility is automatically installed after the device driver has been properly loaded. After rebooting the computer, locate the AeroLAN logo located in Windows' system tray to launch the utility.

In a few moments, you will see the status of your network with these LED indicators:

- A. **Power** – Green LED on when the computer is turned on.
- B. **Wireless Link** – Green LED on when there is a valid wireless link and the device is ready for data transmission
- C. **Antenna Connector**



Visit Asanté at www.asante.com

Main Corporate Telephone Numbers

800-662-9686 (Home/Office Solutions)
800-303-9121 (Enterprise Solutions)
408-435-8388

Technical Support

801-566-8991 (Worldwide)

Technical Support Fax

801-566-3787

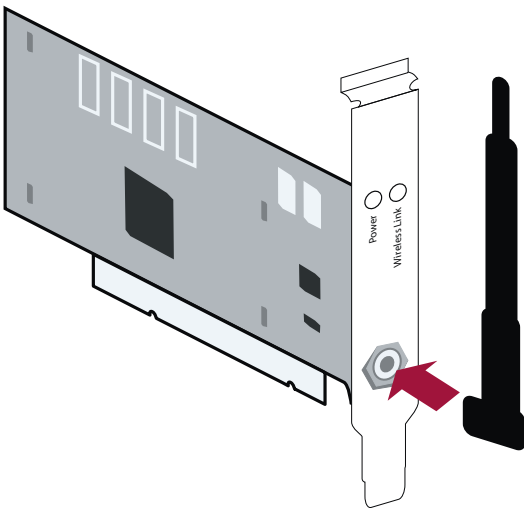


Making Networking Simple

Copyright © 2002 Asanté Technologies, Inc. Asanté and FriendlyNET are registered trademarks of Asanté Technologies, Inc. AeroLAN, and the Asanté logo are trademarks of Asanté Technologies, Inc. All other brand names and products are trademarks or registered trademarks of their respective holders. All features and specifications are subject to change without prior notice. 06-00646-00, 04/02

Antenna Installation:

Here's how to install the antenna onto this adapter:



1. Insert the adapter into an available 32-bit PCI slot.
2. Replace computer case.
3. Attach antenna to external connector on adapter.

Tips for Better Wireless Reception:

The signal quality and range of any wireless Ethernet card is affected greatly by the environment in which they are placed. Here are some tips on getting the most out of your wireless network when using Asante's AeroLAN wireless products:

- The best rule of thumb for good signal strength and quality is to have line-of-sight from the wireless router to the wireless computers. This means the user should be able to see the router from the location where the wireless client is placed.
- Keep the wireless router in an open area away from any large objects such as cubicles, walls or other obstructions.
- Keep the wireless router away from any electro-magnetic emitting devices such as computers, electrical cables, televisions, and other appliances commonly found in the home or office.
- Keep obstructions from the immediate vicinity of wireless card antennas.
- Elevate the wireless router above desktop clutter and low to mid-level obstructions, such as furniture.
- Rotate the wireless router and computers until the best signal strength is achieved.
- The number of walls windows, doorways and other building structures will reduce the range of the wireless signal. Place the wireless router in the path of least resistance through these structures for the best signal quality to the wireless workstations.
- The type of walls, windows, doorways or other building structures will affect the range of the wireless signal. Structures such as metal framed housed, windows containing UV protective film, and residences with multiple floors will all affect the signal quality.
- Standing too close to a wireless Ethernet card antenna will affect its signal strength and quality.

Troubleshooting Tips

In the unlikely event your network is not operating properly, follow the troubleshooting tips below.

- To configure wireless connection properties, run the wireless configuration utility to change SSID, enable/disable WEP encryption plus other advanced features.
- To ensure proper wireless connection, please make sure you have obtained an SSID from your network administrator. If your wireless network has WEP encryption turned on, you will need to enter the WEP key before connecting to network, which is also provided by your network administrator.
- Check that your wireless adapter is firmly seated into PCI slot.
- Confirm that your wireless router/hub/access-point is broadcasting a strong signal, and that your computer is located within the allowable range.
- Check to see if device driver has been properly installed.
- Check your computer's software. Check your operating system manual for instructions on configuring your network for file and print sharing.
- Check to see if your wireless adapter has been properly configured with the correct SSID and WEP encryption settings.

Free Technical Support and Warranty

Two years of free telephone technical support via web and FTP; two year product warranty.

Note: Asanté warrants to the original end-user purchaser that the covered products will be free from defects in title, materials and manufacturing workmanship for a period of two years from the date of purchase. This warranty excludes fans, power supplies, cables, detachable antenna, non-integrated software and accessories.

Need more help?

Consult the Asanté website (www.asante.com) for additional troubleshooting tips and frequently asked questions (FAQ). You may also contact Asanté Technical Support during standard business hours (7am to 6pm MST, Monday-Friday).

Email: support@asante.com

Phone: 801-566-8991

FAX: 801-566-3787

Product Registration

To register your Asanté product, please visit:

<http://www.asante.com/support/registration.html>

Product Specifications

Drivers:	Microsoft Windows 98SE, Me, NT 4.0, 2000, XP Mac OS 8.6 through 9.x, OS X 1.3 <i>See the Asanté website for the latest drivers</i>
Status Indicators:	Power and Wireless LEDs
Bus Interface:	PCI local Bus 2.1 compliant
Dimensions:	121 x 119.5 x 20 mm
Weight:	103.5 g

Environmental Range

Operating Temperature:	32-104° F (0-40° C)
Relative Humidity:	10-90% (non-condensing)

Wireless Performance

Frequency Band:	2.4 GHz
Modulation:	Direct Sequence Spread Spectrum (DSSS)
Antenna:	Detachable 5 db dipole antenna, SMA connector
Security:	Supports Wired Equivalent Encryption (WEP) data encryption

Standards Compliance

Wireless Network:	IEEE 802.11b High Rate up to 500 feet (152 meters) with dynamic rates from 1 to 11 Mbps at 2.4 GHz. Compatible with Apple Airport.
Regulatory:	FCC Class B, CE Mark

Safety and Regulatory Compliance

FCC Compliance Statement

NOTE: This equipment has been tested and found to comply with the limits for a Class B digital device, pursuant to Part 15 of the FCC Rules. These limits are designed to provide reasonable protection against harmful interference in a residential installation. This equipment generates, uses and can radiate radio frequency energy and, if not installed and used in accordance with the instructions, may cause harmful interference to radio communications. However, there is no guarantee that interference will not occur in a particular installation. If this equipment does cause harmful interference to radio or television reception, which can be determined by turning the equipment off and on, the user is encouraged to try to correct the interference by one or more of the following measures:

1. Reorient or relocate the receiving antenna.
2. Increase the separation between the equipment and receiver.
3. Consult the dealer or an experienced radio/TV technician for help.

Safety Advisory

1. Always turn off power to your computer before installing hardware.
2. Always practice ESD techniques when installing hardware.
3. Always use this product in a cool, dry, dust-free environment or danger of electrocution or fire may result.

