
ReadySwitch 5104™ and 5104FX™ Ethernet Switch

READ ME FIRST

Cabling Requirements for the ReadySwitch

The following section describes how to connect the ReadySwitch 5104/5104FX to the network via the unit's 10Base-T ports and 100Base-T port.

10Base-T Ports

To connect a 10Base-T port on the ReadySwitch to a 10Base-T repeater/hub or to another ReadySwitch, use a UTP (unshielded twisted-pair) **crossover cable**. See Figure 1.

To connect a 10Base-T port on the ReadySwitch to a network station, use a UTP **straight-through cable**. See Figure 1.

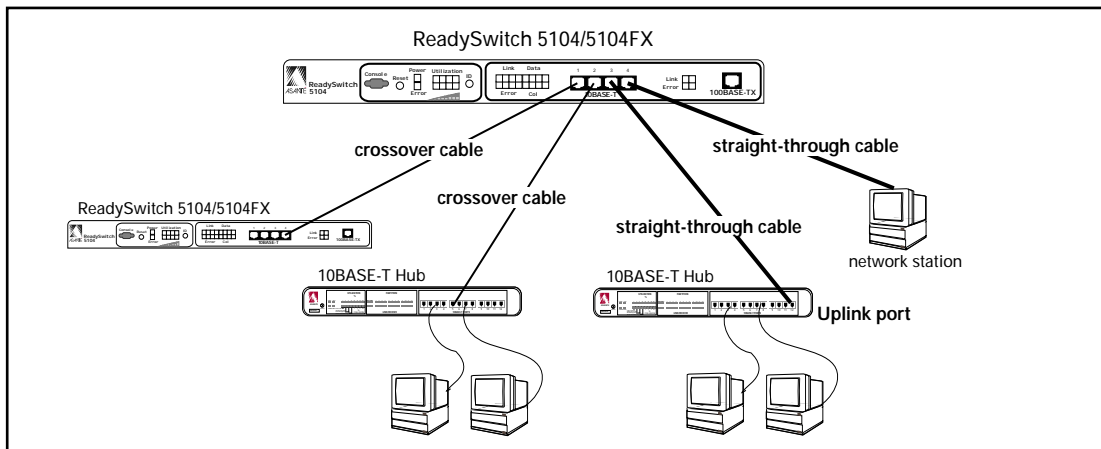


Figure 1 Connecting 10Base-T ports on the ReadySwitch

100Base-TX Port

To connect the 100Base-TX port on the ReadySwitch to a 100Base-TX repeater/hub or to another ReadySwitch port, use a UTP (Category 5) **crossover cable**. See Figure 2.

To connect the 100Base-TX port on the ReadySwitch to a network station, use a UTP (Category 5) **straight-through cable**. See Figure 2.

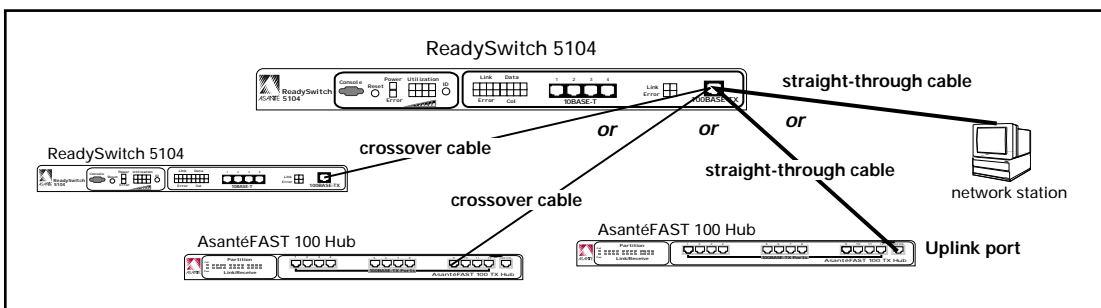


Figure 2 Connecting the 100Base-TX port on the ReadySwitch

Managing the ReadySwitch

The following section describes how to utilize the console services to configure, monitor and manage the ReadySwitch.

Hardware Requirements

- a VT100 terminal or a VT100 terminal emulator running on a workstation or PC
- a straight-through RS232 cable with a 9-pin male D-subminiature connector on one end, and an appropriate connector on the other end to attach the terminal or terminal emulator

Software Requirements

If you are using a workstation, use the VT100 terminal emulator software appropriate for your workstation.

If you are using a PC to emulate a VT100 terminal, use the following recommended software:

DOS environment:

- MS-DOS 3.30 or later
- PROCOMM PLUS for DOS

Windows environment:

- Microsoft Windows 3.1 or later
- PROCOMM PLUS for Windows or Windows Terminal

Note: If using Windows Terminal, open the Settings menu, select Terminal Preferences, and make sure the option **Use Function, Arrow, and Ctrl Keys for Windows** is **not** selected.

Macintosh environment:

- ZTerm (Use the VT100 standard PF function keys.)



Do not use the **Windows 95** terminal emulation program **HyperTerminal**. HyperTerminal is not a VT100-compatible terminal emulator, and will not function properly with management of the ReadySwitch.

To ensure compatibility and reliability, use one of the recommended software combinations listed above.

VT100 Terminal Settings

Use the following console settings when connecting the VT100 terminal or terminal emulator:

- transmit and receive speed: 9600 or 19200 baud
- no parity
- 8 data bits
- 1 stop bit
- XON/XOFF flow control
- line wrap: OFF

Starting the Local Console

1. Connect a VT100 terminal or a VT100 terminal emulator to the Console port on the ReadySwitch using a straight-through RS232 cable.
2. Make sure both units are powered on.
3. Press RETURN.
4. Type SYSMAN at the command line.

For more information on the ReadySwitch, refer to the ReadySwitch 5104 and 5104FX User Manual.