

---

# Asanté 5216™/5216xp™ Switch

---

## READ ME FIRST

### Cabling Requirements for the 5216/5216xp Switch

The following section describes how to connect the Asanté 5216 or the 5216xp Switch to the network via the unit's 10Base-T and 100Base-T ports.

#### 10Base-T Ports

To connect a 10Base-T port on the 5216 or 5216xp Switch to a 10Base-T repeater/hub, or to another 5216 or 5216xp Switch, use a UTP (unshielded twisted-pair) **crossover cable**. See Figure 1.

To connect a 10Base-T port on the switch to a network station, use a UTP **straight-through cable**. See Figure 1.

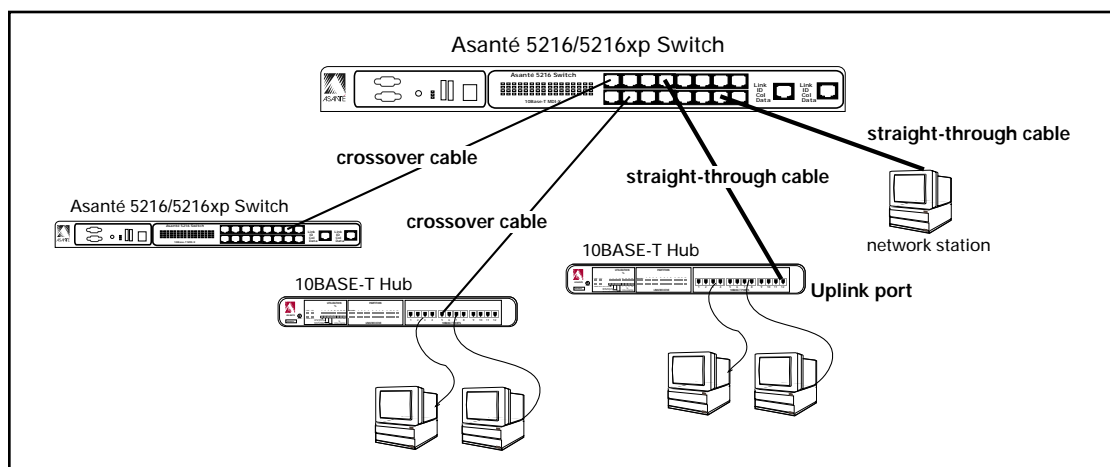


Figure 1 Connecting 10Base-T ports on the 5216/5216xp Switch

#### 100Base-TX Ports

To connect a 100Base-TX port on the switch to a 100Base-TX repeater/hub, or to another 5216 or 5216xp Switch port, use a UTP (Category 5) **crossover cable**. See Figure 2.

To connect the 100Base-TX port on the switch to a network station, use a UTP (Category 5) **straight-through cable**. See Figure 2.

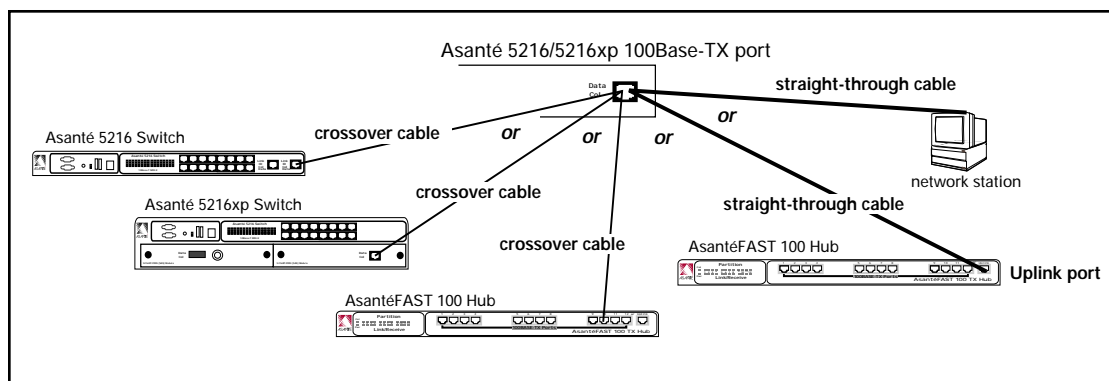


Figure 2 Connecting 100Base-T ports on the 5216/5216xp Switch

# Managing the 5216/5216xp Switch

The following section describes how to utilize the console services to configure, monitor and manage the 5216 or 5216xp Switch.

## Hardware Requirements

- a VT100 terminal *or* a VT100 terminal emulator running on a workstation or PC
- a straight-through RS232 cable with a 9-pin male D-subminiature connector on one end, and an appropriate connector on the other end to attach the terminal or terminal emulator

## Software Requirements

If you are using a workstation, use the VT100 terminal emulator software appropriate for your workstation.

If you are using a PC to emulate a VT100 terminal, use the following recommended software:

### DOS environment:

- MS-DOS 3.3 or later
- PROCOMM PLUS for DOS

### Windows environment:

- Microsoft Windows 3.1 or later
- PROCOMM PLUS for Windows or Windows Terminal

**Note:** If using Windows Terminal, open the Settings menu, select Terminal Preferences, and make sure the option **Use Function, Arrow, and Ctrl Keys for Windows** is **not** selected.

### Macintosh environment:

- ZTerm (Use the VT100 standard PF function keys.)



Do not use the **Windows 95** terminal emulation program **HyperTerminal**. Hyperterminal is not a VT100-compatible terminal emulator, and will not function properly management of the Asanté 5216 or 5216xp Switch.

To ensure compatibility and reliability, use one of the recommended software combinations listed above.

## VT100 Terminal Settings

Use the following console settings when connecting the VT100 terminal or terminal emulator.

- transmit and receive speed: 9600 or 19200 baud
- no parity
- 8 data bits
- 1 stop bit
- XON/XOFF flow control
- line wrap: OFF

## Starting the Local Console

1. Connect a VT100 terminal or a VT100 terminal emulator to the CONSOLE port on the switch using a straight-through RS232 cable.
2. Make sure both units are powered on.
3. Press RETURN.
4. Type SYSMAN at the command line.

For more information, refer to the user manual that came with your 5216 or 5216xp Switch.