

Quick Guide



Thank you for choosing

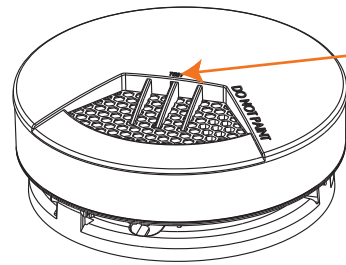
Asante Smoke Detector

This guide assumes that you have already purchased an Asante Genie kit and Asante Genie is installed and running. If you have not setup your kit, please do so before installing this product. Refer to Quick Guide that was accompanied with your kit or visit www.asante.com.

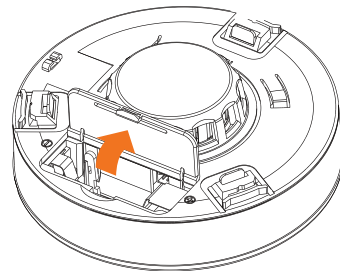
For first time installation, please make sure that Smoke Detector and your Asante Genie are within close proximity to each other. Once claimed, it can be moved to proper location for installation. **If you have more than one Smoke Detector, it is very important to add them one at a time.** Insert battery, claim the device on the app and then move on to the next.



Asante Smoke Detector battery compartment and buttons



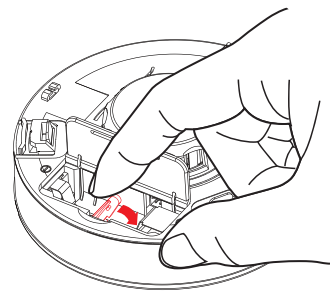
Test Button (LED Light)



Inserting battery into Smoke Detector

Step 1 Setup of Smoke Detector

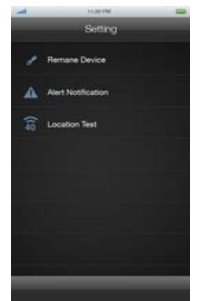
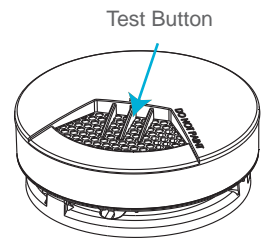
1. Remove the base from the smoke detector
2. Insert battery into smoke detector and close the lid. Inside the battery compartment there is a red lever that will be pushed down when inserting the battery.
3. Claim your first Smoke Detector when prompted in the app.
4. Before installing additional Smoke Detectors, rename the one that you just installed. This way each Smoke Detector will have a specific name.



Repeat steps 1-4 for any additional Smoke Detectors you might have.

Step 2 Location test and mounting instruction

To ensure a reliable communication between the Smoke Detector and Asante Genie, the following steps should be taken. It is a good idea to do the test holding the Smoke Detector in an upside down position just like if it was attached to ceiling.

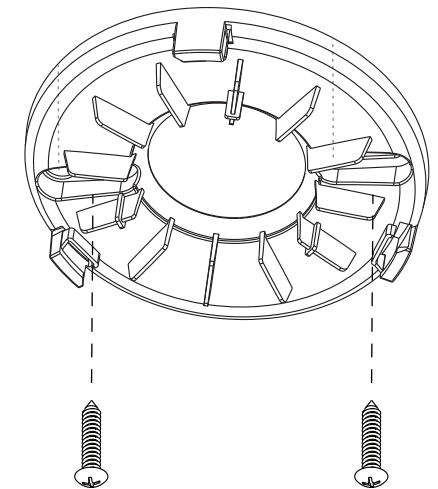
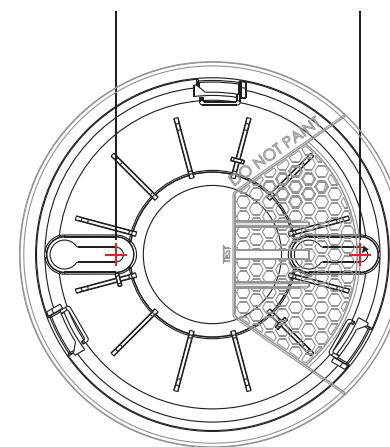


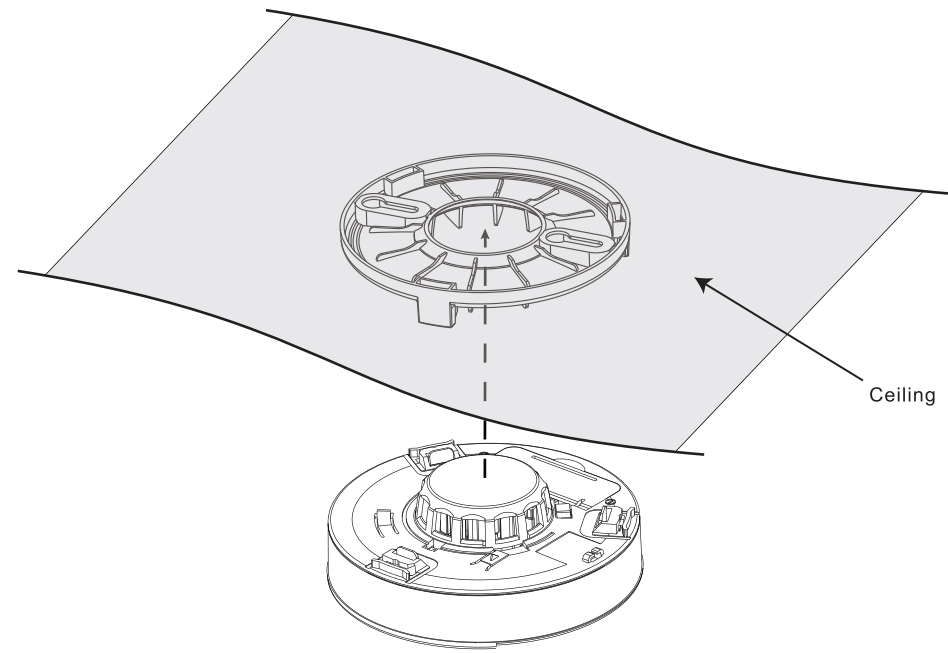
1. Login to app using your Smartphone and enter the setting page for Smoke Detector. click on Location Test button as shown
2. Press the test button on the Smoke Detector and make sure you receive a test response on your app
3. Now move the Smoke Detector to the location that it will be installed
4. Repeat steps 1-3 to make sure Smoke Detector is still within the communication range. If you received a response on the app, then you are done. Proceed with mounting of the unit.
5. If you do not get a response from Smoke Detector at the location that the unit needs to be installed, then consider relocating Asante Genie. To do this, please see step 4.

Step 3 Mounting instruction for Smoke Detector

1. Remove the mounting base from the Smoke Detector (counter clockwise) and hold it against the ceiling surface that you would like to install the unit.
2. Mark the screw holes using a pen or pencil as shown below and Tighten the base to the surface using the screws provided.
3. Holding the smoke detector firmly into base, turn it clockwise to lock
4. You can also do the Location Test one more time to confirm the correct location for Smoke Detector.

Mounting Holes





Test Button and LED Light

In Standby Mode

The red LED, as the ALARM indicator, are featured with the Asante Smoke Detector Alarm. It can be seen through the clear test button on the cover of the unit. When red LED flashes every 334 seconds, it indicates that the Smoke Detector is under normal operation. When Smoke Detector senses smoke; it sounds an alarm with 3 beeps, pause and 3 beeps. The red LED will flash continuously and rapidly.

Silence Feature

The silence feature can temporarily turn off sound for up to 10 minutes. To use this feature, press test button on the cover when alarm goes off. If the smoke concentration around the Smoke Detector is still at an alarming level after 10 minutes of silence, the unit will re-alarm immediately.

Low Battery Warning Signal

If the alarm horn begins to chirp once in 43 seconds with red and yellow LED flashing, it indicates that the Smoke Detector battery is weak. This low battery warning signal should last for up to 30 days. However, you should replace battery immediately upon receiving this signal for continuous protection.

Tamper Switch Feature

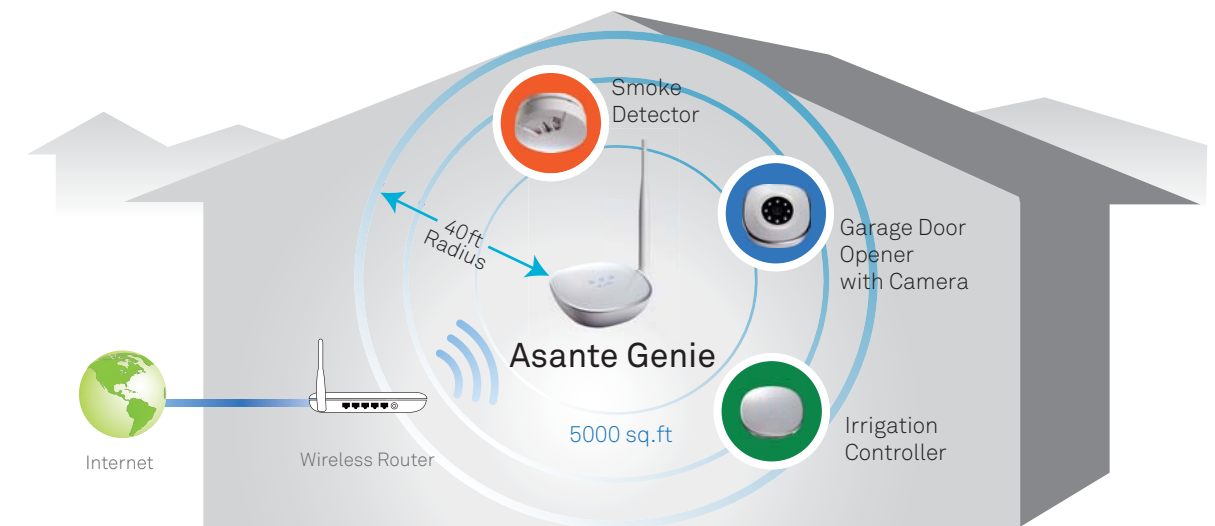
If the Smoke Detector is not mounted into the bracket properly during the first 5 minutes after battery is installed, the tamper function is triggered and the yellow LED stays on. If the Smoke Detector is still not mounted into the bracket properly 5 minutes after battery is installed, you will hear three beeps with yellow LED steadily on until smoke alarm is mounted back into bracket.

Testing Your Smoke Detector

Test the Smoke Detector weekly by pressing the test button and holding it for around 4 seconds until the alarm sounds. The sound pattern is 3 beeps, pause, and then 3 beeps with red LED flashing continuously and rapidly.

Step 4 WiFi set up for Asante Genie (Optional)

Asante Genie wireless bridge mode can extend your wireless coverage in a large size property. For areas larger than 5000 sq.ft, consider placing the Asante Genie in a **central location** to bridge Asante devices into your home router. Otherwise we strongly recommend using the Ethernet wired mode. If you still want to use the wireless option, please follow the procedure below.



Use wireless connection to maximize the WiFi coverage. Asante Genie can cover up to 5000 sq.ft

1. Login to app and select the settings button as shown below
 2. Select WiFi manager
 3. Select your home router from the list
 4. Enter your personal wireless password that has been setup on your router when prompted
- Once connected, you can disconnect the Ethernet cable between the Asante Genie and router and move the Asante Genie to appropriate location. The lights on the Asante Genie will indicate a wireless signal.

